



DC (10-30V) Output Module (Cat. No. 1771-OBN Series B)

Contents

Use this document as a guide when installing the catalog number **1771-OBN** series B output module.

To	See page
↓ Important User Information	1
↓ Preinstallation Considerations	4
↓ Calculate Power Requirements	5
↓ Key the Backplane Connector	5
↓ Install the Module and Field Wiring Arm	6
↓ Connect Wiring to the Field Wiring Arm	7

For this reference information	See page
⇒ Interpreting the Status Indicators	10
⇒ Replacing the Fuses	10
⇒ Hazardous Location Approval	11
⇒ Specifications	12

Important User Information

Because of the variety of uses for the products described in this publication, those responsible for the application and use of these products must satisfy themselves that all necessary steps have been taken to assure that each application and use meets all performance and safety requirements, including any applicable laws, regulations, codes and standards. In no event will Rockwell Automation be responsible or liable for indirect or consequential damage resulting from the use or application of these products.

Any illustrations, charts, sample programs, and layout examples shown in this publication are intended solely for purposes of example. Since there are many variables and requirements associated with any particular installation, Rockwell Automation does not assume responsibility or liability (to include intellectual property liability) for actual use based upon the examples shown in this publication.

Allen-Bradley publication SGI-1.1, Safety Guidelines for Application, Installation, and Maintenance of Solid-State Control (available from your local Rockwell Automation office), describes some important differences between solid-state equipment and electromechanical devices that should be taken into consideration when applying products such as those described in this publication.

I/O Module Groups

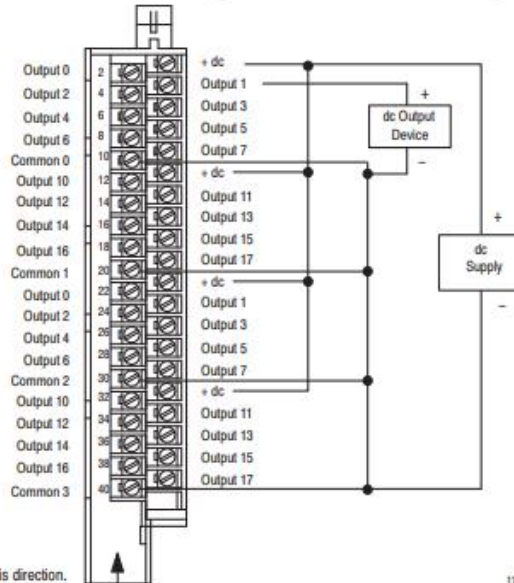
Each module condenses 2 full module groups (32 outputs) into each I/O chassis slot. For example:

- Module group 1 = outputs 00 through 17
- Module group 2 = outputs 00 through 17 (module group 2 represents the second set of outputs).

Terminals 1 through 20 represent module group 1. Terminals 21 through 40 represent module group 2. Terminals 10, 20, 30 and 40 are DC common and terminals 1, 11, 21 and 31 are DC power.

Connection Diagram for the 1771-OBN DC Output Module

Note: Terminals on the left are even numbered (2 thru 40), and terminals on the right are odd numbered (1 thru 39).



Actual wiring runs in this direction.

11854

If multiple power supplies are used, do not exceed the specified isolation voltage.

ATTENTION

Miswiring or shorting the output terminals will cause permanent damage to this module.

